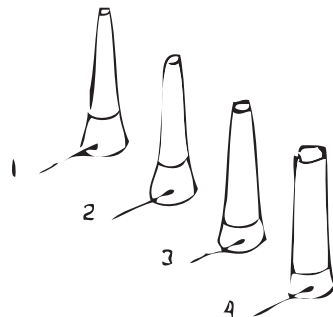
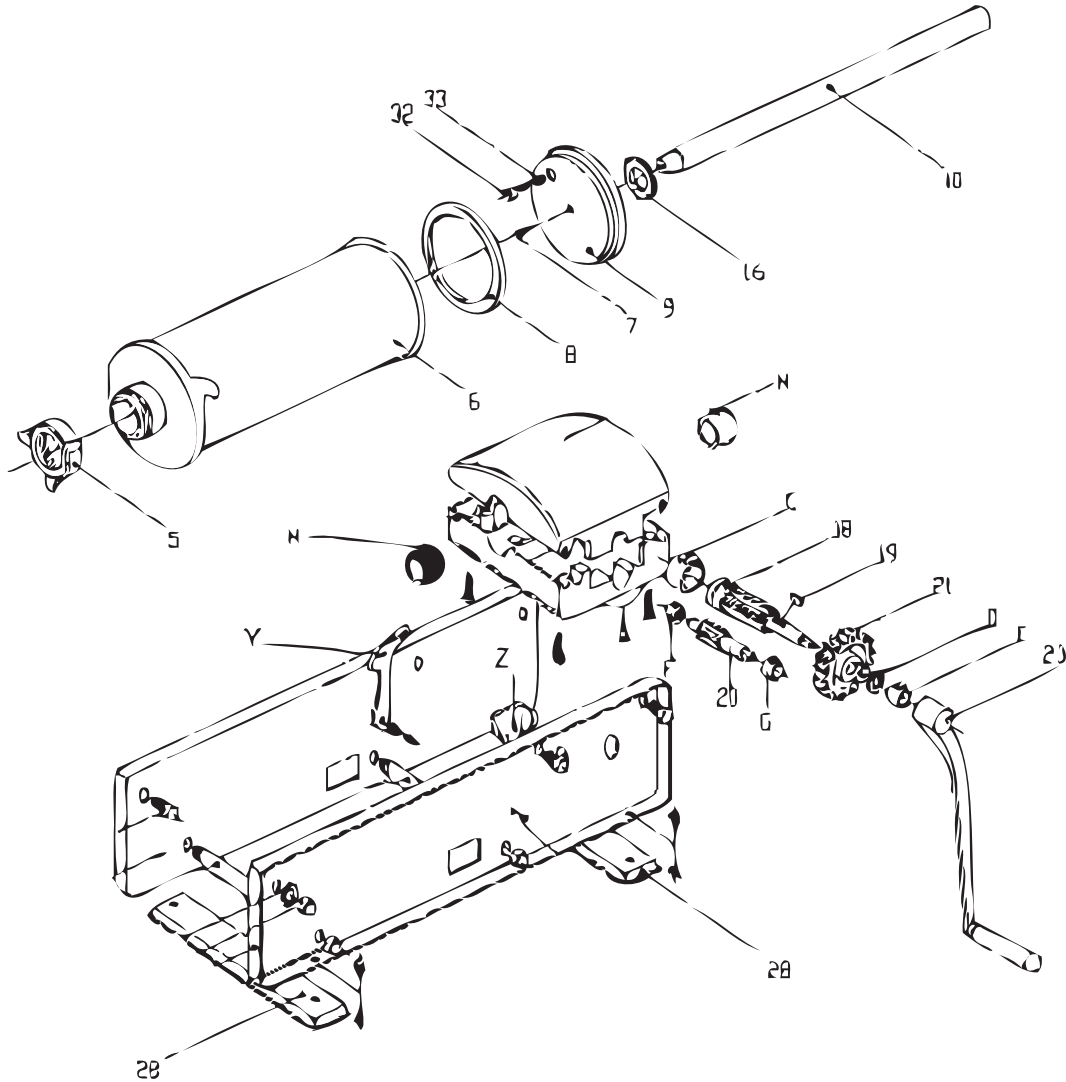


Parts Breakdown

Item 42027



$$32+33= 132$$

$$8+9= 108$$

$$Y+Z= 13$$

$$C+D+E+F+G+H=44$$

Parts Breakdown

Item 42027

Item No.	Description	Position	Item No.	Description	Position	Item No.	Description	Position
10124	Plastic Spout 10mm for 42027	1	78636	Stainless Steel Rack for 42027	10	27642	Foot for 42027	28
10125	Plastic Spout 20mm for 42027	2	AD705	Cylinder Holder for 42027	13	21177	Bushing Kit Plastic for 42027	44
10126	Plastic Spout 30mm for 42027	3	27636	Washer between Rack and Piston for 42027	16	15280	Piston and Gasket for 42027	108
10127	Plastic Spout 40mm for 42027	4	15277	Rack Controlling Shaft for 42027	18	15313	Air Valve and Spring for 42027	132
15279	Screw Ring for 42027	5	21594	Key for 42027	19	72256	Complete Gear Block for 42027	
24042	Cylinder for 42027	6	15276	Pinion for 42027	20			
15285	Piston Screw for 42027	7	15278	Reducer Wheel for 42027	21			
15274	Gasket Silicone for 42027	8	15272	Handle for 42027	23			